

Modular rack

Svjatoslav Agejenko

June 4, 2022

Contents

1	General	1
2	Project description	1

1 General

- **DISCLAIMER: I DO ELECTRONICS AND 3D DESIGN SOLELY AS A HOBBY. THERE COULD BE ERRORS THAT CAN RESULT IN ALL KINDS OF DAMAGE. USE THESE DESIGNS AT YOUR OWN RISK.**
- This design is released under Creative Commons Zero (CC0) license.
- Author:
 - Svjatoslav Agejenko
 - Homepage: <https://svjatoslav.eu>
 - Email: svjatoslav@svjatoslav.eu
- See also:
 - Other physical projects in this repository
 - Other projects hosted at svjatoslav.eu

2 Project description

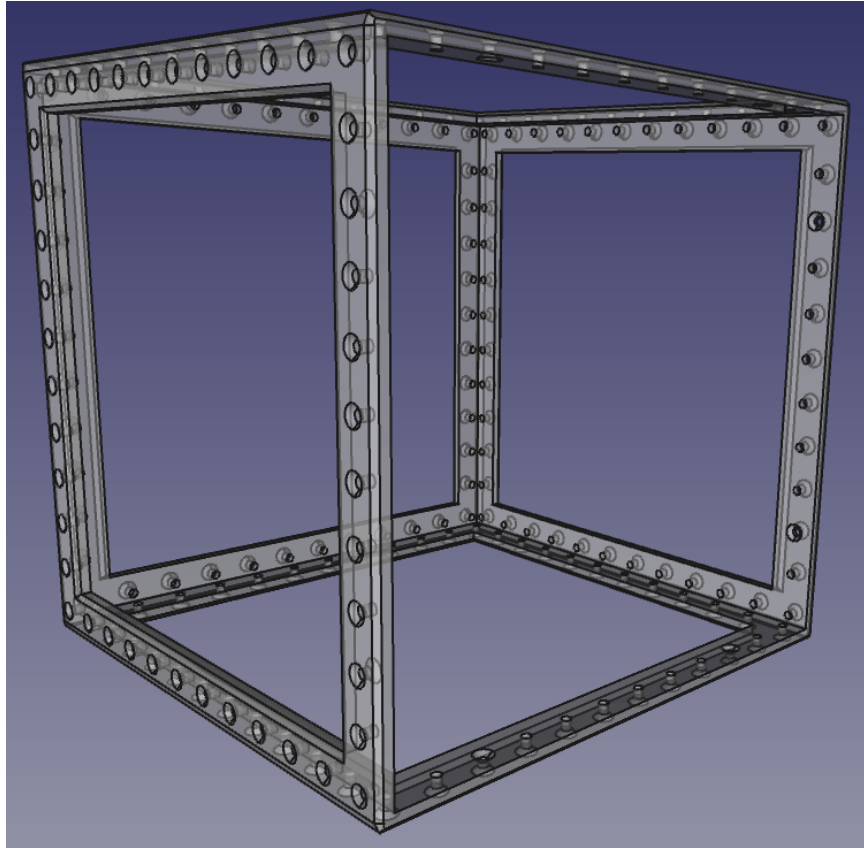
Photo:



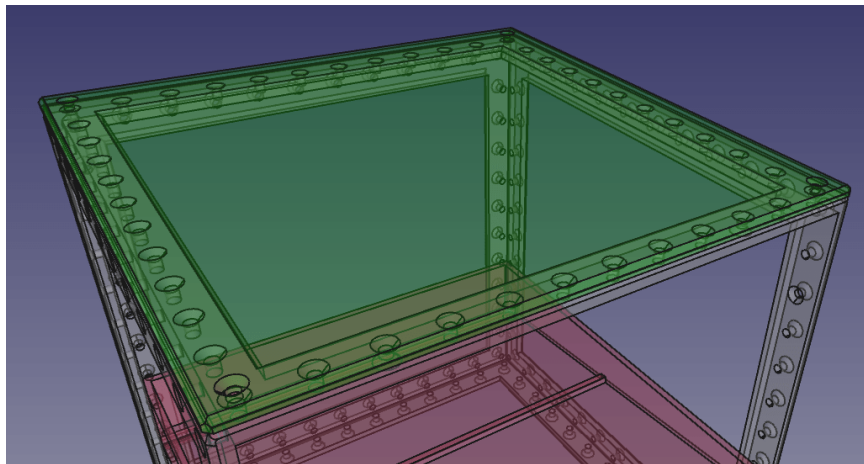
Idea is to design modular racks that can be subdivided and also combined together.

[Download FreeCAD project](#)

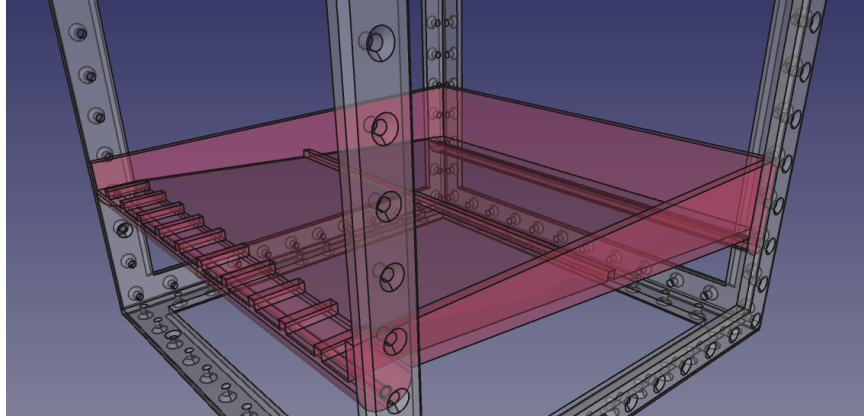
[Rack: Download printable STL file](#)



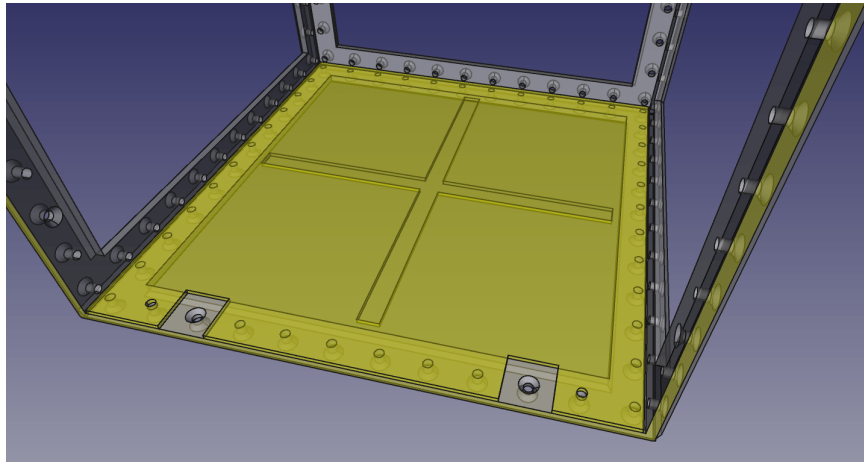
Top plate: [Download printable STL file](#)



Shelf: [Download printable STL file](#)



Bottom plate: [Download printable STL file](#)



Complete assembly

